

MOD:XEVC-0311-EPL



ENGLISH

TECHNICAL DATA

- 01 POWER
- 03 FREQUENCY
- 04 POWER SUPPLY CABLE TYPE
- 05 EXTERNAL Ø OF POWER SUPPLY CABLE
- 06 VOLTAGE / POWER CABLE SECTION / CURRENT

5 kW
50 / 60 Hz
H07RN-F
13,96 mm

380-415 V~3PH+N+PE
5G x 2,5 mm²
I1=7,4 A - I2=7,4 A - I3=6,7 A - In=0,7 A

220-240 V~3PH+PE
4G x 2,5 mm²
I1=12,9 A - I2=12,3 A - I3=12,3 A - In=

220-240 V~1PH+N+PE
3G x 4 mm²
I1=21,5 A - I2= - I3= - In=

- 10 WATER PRESSURE
- 11 MAX FOOD LOAD
- 13 WATER MAX CONSUMPTION
- 02 NOMINAL HEAT INPUT
- 18 CAVITY DIMENSIONS (W - D - H)
- 20 DEGREE OF PROTECTION IP

150-600 kPa / 21-87 psi kPa
15 kg
3.4 l/h @ 200 kPa
4,7 kW
606x385x255 mm
IPX4

ITALIANO

- 01 POTENZA
- 03 FREQUENZA
- 04 TIPO DI CAVO ALIMENTAZIONE
- 05 Ø ESTERNO CAVO DI ALIMENTAZIONE
- 06 TENSIONE / SEZIONE CAVI ALIMENTAZIONE / CORRENTE
- 10 PRESSIONE ACQUA
- 11 CARICA MAX CIBO
- 13 CONSUMO MAX ACQUA
- 02 POTENZA TERMICA NOMINALE
- 18 DIMENSIONI CAMERA COTTURA (L - P - H)
- 20 GRADO PROTEZIONE IP

FRANCAIS

- 01 PUISSANCE ELECTRIQUE
- 03 FREQUENCE
- 04 TYPE DE CABLE D'ALIMENTATION
- 05 Ø EXTERNE DU CABLE D'ALIMENTATION
- 06 TENSION / SECTION CABLE D'ALIM.
- 10 PRESSION DE L'EAU
- 11 CHARGE MAXIMALE D'ALIMENT
- 13 CONSOMMATION MAX DE L'EAU
- 02 DEBIT THERMIQUE NOMINAL
- 18 DIMENSIONS CHAMBRE DE CUISSON (L - P - A)
- 20 INDICE DE PROTECTION IP

ESPAÑOL

- 01 POTENCIA
- 03 FRECUENCIA
- 04 TIPO DE CABLE DE ALIMENTACION
- 05 Ø CABLE EXTERNO DE ALIMENTACION
- 06 TENSION / SECCION CABLES DE ALIMENTACION
- 10 PRESION AGUA
- 11 CARGA MAX. DE ALIMENTOS
- 13 CONSUMO MAX DE AGUA
- 02 POTENCIA TERMICA NOMINAL
- 18 DIMENSIONES CÁMARA DE COCCIÓN (A - A - P)
- 20 GRADO DE PROTECCION IP

DEUTSCH

- 01 ELEKTRISCHE LEISTUNG
- 03 FREQUENZ
- 04 ZULEITUNGSKABELTYP
- 05 AUSSENDURCHMESSER DES VERSORGUNGSKABELS
- 06 KABELQUERSCHNITT UND VERSORGUNGSSPANNUNG
- 10 WASSERDRUCK
- 11 MAX. SPEISENFASSUNGSVERMOGEN
- 13 MAXIMUM WASSERVERBRAUCH
- 02 NOMINALE WARMELEISTUNG
- 18 GRÖÖBE DES KOCHKAMMERS (B - T - H)
- 20 SCHTZART IP



MOD:XEVC-0311-EPL



ENGLISH - DRAWINGS

| | |
|----|-----------------------------|
| 1 | TERMINAL BOARD COVER BOX |
| 2 | TERMINAL BOARD POWER SUPPLY |
| 3 | UNIPOTENTIAL TERMINAL |
| 6 | TECHNICAL DATA PLATE |
| 7 | SAFETY THERMOSTAT |
| 8 | 3/4" THREAD WATER INLET |
| 10 | Rotor.KLEAN CONNECTION |
| 11 | CAVITY DRAIN PIPE |
| 12 | HOT FUMES EXHAUST CHIMNEY |
| 13 | ACCESSORIES CONNECTION |
| 27 | COOLING AIR OUTLET |

ITALIANO - DISEGNI

| | |
|----|-------------------------------|
| 1 | SCATOLA COPRI MORSETTIERA |
| 2 | MORSETTIERA ALIMENTAZIONE |
| 3 | MORSETTO EQUIPOTENZIALE |
| 6 | TARGHETTA DATI TECNICI |
| 7 | TERMOSTATO DI SICUREZZA |
| 8 | INGRESSO ACQUA 3/4" |
| 10 | INGRESSO Rotor.KLEAN |
| 11 | SCARICO CAMERA DI COTTURA |
| 12 | USCITA FUMI CALDI |
| 13 | COLLEGAMENTO ACCESSORI |
| 27 | USCITA ARIA DI RAFFREDDAMENTO |

FRANCAIS - ENCOMBREMEN

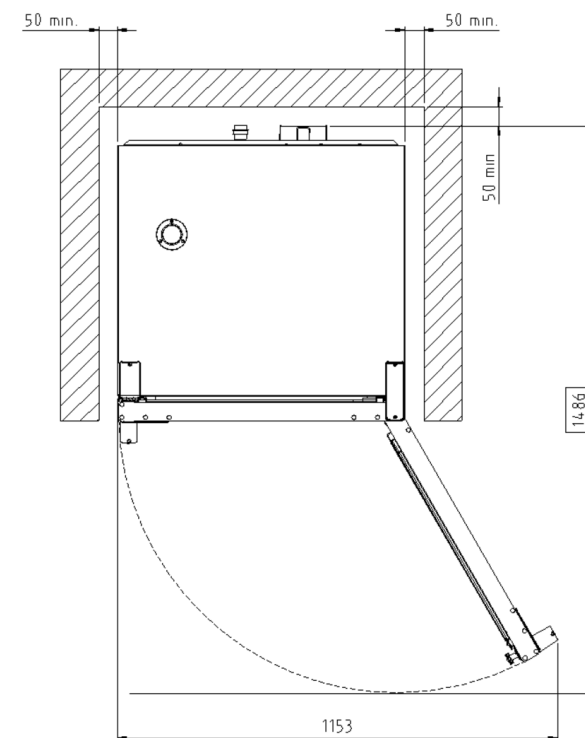
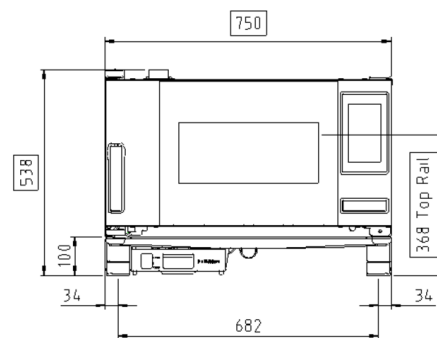
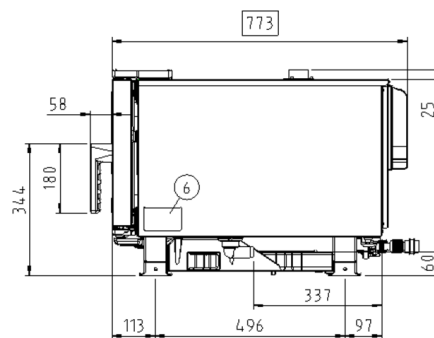
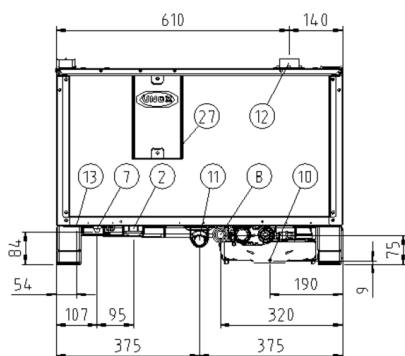
| | |
|----|---------------------------------|
| 1 | CHAUMARD |
| 2 | BOITE A BORNES D'ALIMENTATION |
| 3 | SUPPORT BORNE EQUIPOTENTIELLE |
| 6 | PLAQUETTE SEGNALETIQUE |
| 7 | THERMOSTAT DE SECURITE |
| 8 | ARRIVE D'EAU FIETL 3/4" |
| 10 | ENTREE Rotor.KLEAN |
| 11 | SORTIE DE L'EAU RACCORD |
| 12 | SORTIE DES FUMEEES CHAUDES |
| 13 | JONCTION DES ACCESSOIRES |
| 27 | SORTIE D'EAU DE REFROIDISSEMENT |

ESPAÑOL - DISEÑOS

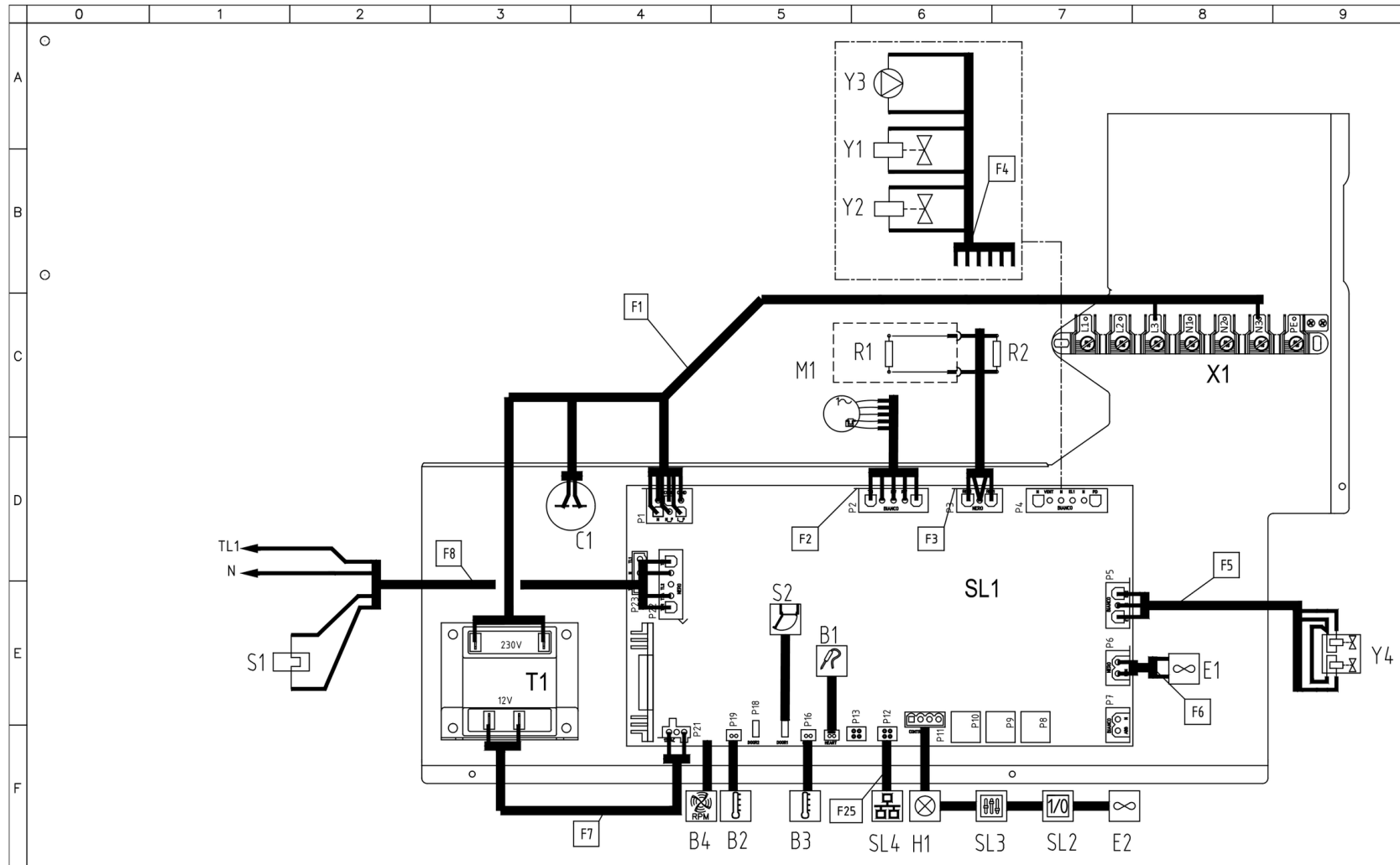
| | |
|----|-------------------------------------|
| 1 | PASA CABLE |
| 2 | CAJA DE CONEXION |
| 3 | SEDE BORNE EQUIPOTENCIAL |
| 6 | TARJETA DE CARACTERISTICAS TECNICAS |
| 7 | TERMOSTATO DE SEGURIDAD |
| 8 | ENTRADA DE AGUA 3/4" |
| 10 | INGRESO Rotor.KLEAN |
| 11 | DESCARGA CAMARA DE COCCION |
| 12 | SALIDA HUMOS CALIENTES |
| 13 | CONEXION ACCESORIOS |
| 27 | SALIDA DEL AIRE DE ENFRIAMIENTO |

DEUTSCH - ZEICHNUNGEN

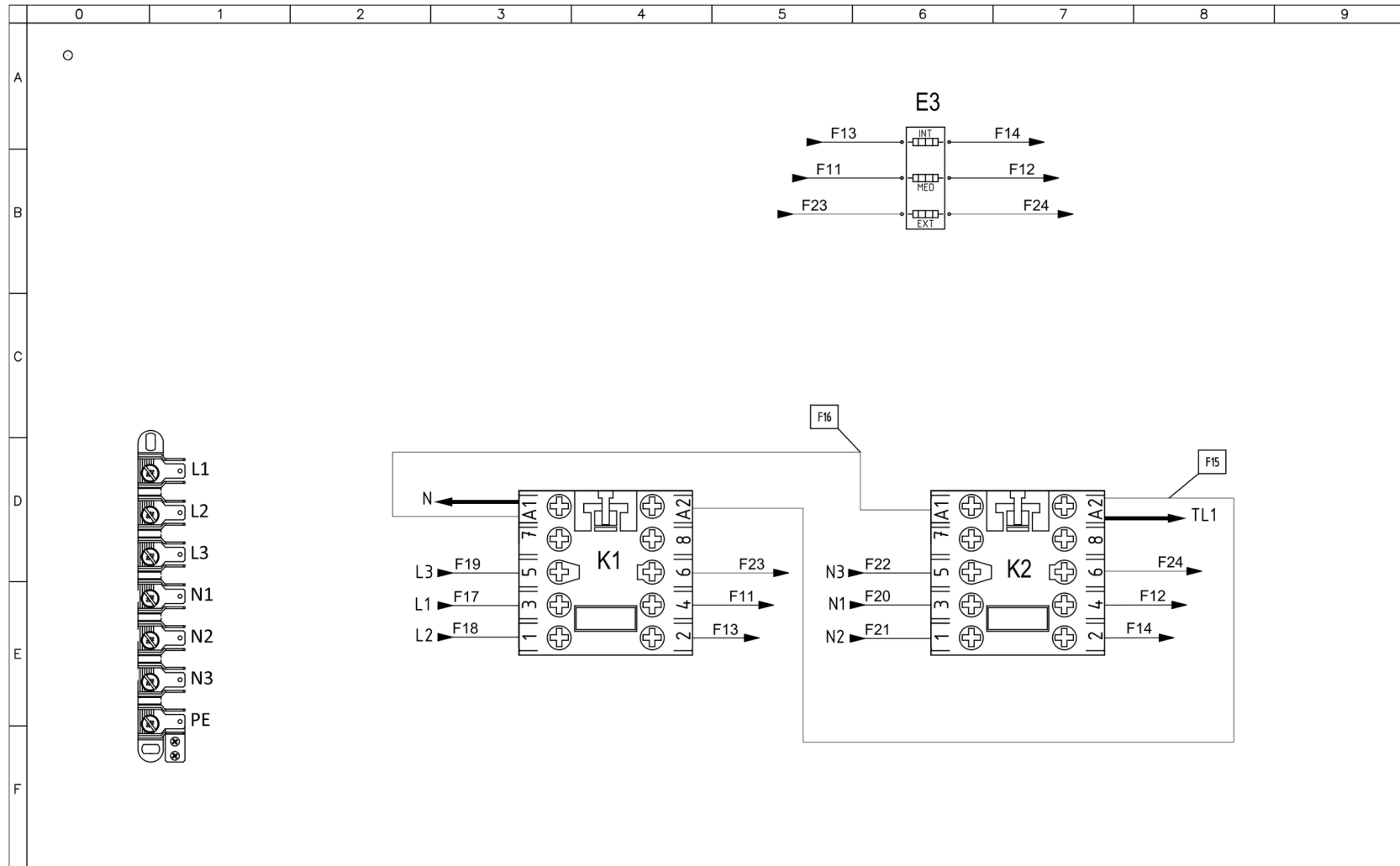
| | |
|----|---------------------------|
| 1 | KLEMMLEISTENANSCHLUSS |
| 2 | ZULEITUNGSKLEMMLEISTE |
| 3 | GLEICHPOTENTIELLE KLAMMER |
| 6 | TYPENSCHILD |
| 7 | SICHERHEITSTHERMOSTAT |
| 8 | WASSEREINZUG 3/4" GEWINDE |
| 10 | Rotor.KLEAN EINGANG |
| 11 | WASSERAUSLASS GEWINDE |
| 12 | ABZUGSHAUBE |
| 13 | ZUBEHÖRTEILENVERBINDUNG |
| 27 | KÜHLLUFTAUSTRITT |



MOD:XEVC-0311-EPL



MOD:XEVC-0311-EPL



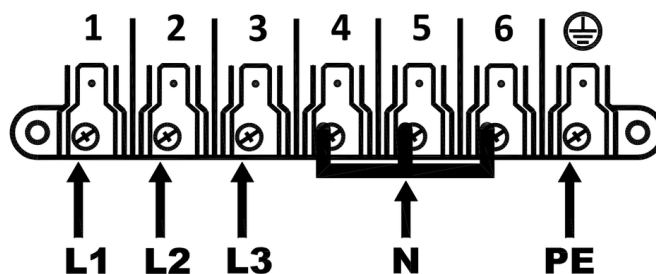
MOD:XEVC-0311-EPL



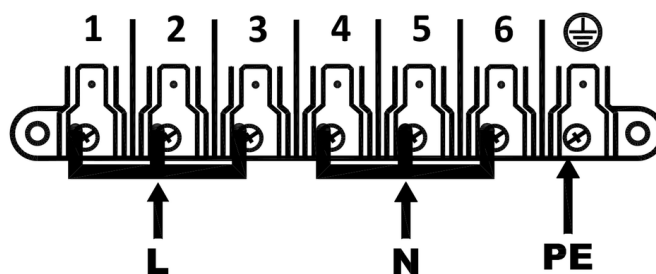
| | 0 | 1 | 2 | 3 | 4 | 5 | 6 | 7 | 8 | 9 |
|---|---------|-----------------------------|---------------------------------------|--------------------------------------|----------------------------------|-------------------------|---|---|---|---|
| A | | | | | | | | | | |
| B | ⊙ Sigle | ENGLISH | ITALIANO | FRANCAIS | ESPAÑOL | DEUTSCH | | | | |
| | B1 | CORE PROBE | SONDA AL CUORE | SONDE A COEUR | SONDA CORAZON | KERNTEMPERATURFUHLER | | | | |
| | B2,B3 | TEMPERATURE PROBE | SONDA CAMERA | SONDE DE CHAMBRE | SONDA CAMARA | GARRAUMTEMPERATURFUHLER | | | | |
| | B4 | MOTOR SPEED SENSOR | SENSORE VELOCITA MOTORE | CAPTEUR DE VITESSE MOTEUR | SENSOR DE VELOCIDAD MOTOR | GESCHWINDIGKEITSSENSOR | | | | |
| | C1 | MOTOR CAPACITOR | CONDENSATORE | CONDENSATEUR | CONDENSADOR | KONDENSATOR | | | | |
| | E1,E2 | COOLING FAN | VENTOLA RAFFREDDAMENTO | TURBINE DE REFROIDISSEMENT | TURBINA DE REFRIGERACION | LÜFTER | | | | |
| | E3 | HEATING ELEMENT | ELEMENTO RISCALDANTE | ELEMENT DE CHAUFFAGE | RESISTENCIA DE CALEFACCIÓN | HEIZUNG | | | | |
| | H1 | OVEN LIGHT | LUCE CAMERA | ECLAIRAGE DE CHAMBRE | LUZ CAMARA | BELEUCHTUNG | | | | |
| | K1,K2 | CONTACTOR | TELERUTTORE | TELERUPTEUR | TELERRUPTOR | RELAIS | | | | |
| | M1 | MOTOR | MOTORE | MOTEUR | MOTOR | MOTOR | | | | |
| | R1,R2 | MOTOR MODULATION RESISTANCE | RESISTENZA DI MODULAZIONE VENTILATORE | RESISTANCE DE MODULATION VENTILATEUR | RESISTENCIA MODULACION VELOCIDAD | WIDERSTAND LOW FAN | | | | |
| | S1 | SAFETY THERMOSTAT | TERMOSTATO SICUREZZA | THERMOSTAT DE SECURITE | TERMOSTATO DE SEGURIDAD | SICHERHEITS THERMOSTAT | | | | |
| | S2 | DOOR MICROSWITCH | MICRO INTERRUTTORE PORTA | MICROINTERRUPTEUR DE PORTE | MICROINTERRUPTOR PUERTA | TURKONTAKTSCHALTER | | | | |
| D | SL1 | POWER CARD | SCHEDA POTENZA | CARTE DE PUISSANCE | TARJETA POTENCIA | POWERPLATINE | | | | |
| | SL2 | USB - 1/0 BOARD | SCHEDA 1/0 - USB | USB - CARTE 1/0 | USB - TARJETA 1/0 | USB - 1/0 PLATINE | | | | |
| | SL3 | CONTROL BOARD | SCHEDA CONTROLLO | CARTE DE CONTROLE | TARJETA DE CONTROL | KONTROLL PLATINE | | | | |
| | SL4 | BRIDGE ETHERNET | BRIDGE ETHERNET | BRIDGE ETHERNET | BRIDGE ETHERNET | BRIDGE ETHERNET | | | | |
| | T1 | TRANSFORMER | TRASFORMATORE | TRANSFORMATEUR | TRANSFORMADOR | TRASFORMATORE | | | | |
| | X1 | CONTACTOR 6P+PE | MORSETTIERA 6P+PE | BORNIER 6P+PE | CONECTOR 6P+PE | KLEMMLEISTE 6P+PE | | | | |
| E | Y1 | WATER SOLENOID VALVE | ELETTROVALVOLA ACQUA | ELECTROVANNE EAU | ELECTROVALVULA | ELEKTROVENTIL | | | | |
| | Y2 | DRY MAXY | DRY MAXY | DRY MAXY | DRY MAXY | DRY MAXY | | | | |
| | Y3 | PUMP | POMPA | POMPE | BOMBA | PUMPE | | | | |
| | Y4 | WATER SOLENOID VALVE 3STAGE | ELETTROVALVOLA ACQUA 3 STADI | ELECTROVANNE EAU 3 ETAPES | ELECTROVALVULA 3 ETAPAS | ELEKTROVENTIL 3 STUFEN | | | | |
| F | | | | | | | | | | |

ED1407A POWER SUPPLY - CONNECTION DIAGRAM

380-415V ~ 3PH + N + PE 50/60Hz



220-240V ~ 1PH + N + PE 50/60Hz



220-240V ~ 3PH + PE 50/60Hz

